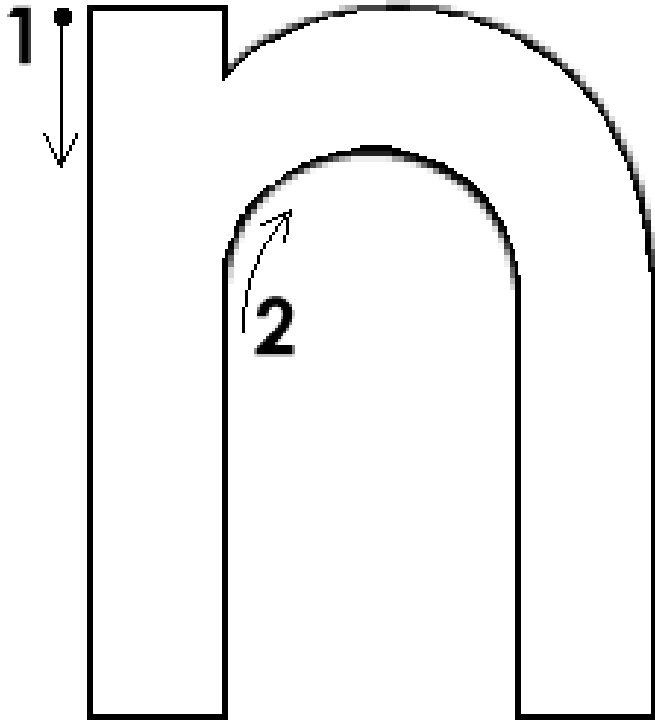


From *Gilead® Success with Phonics*
© J. Jeanne Wherrett, 2004-2009, 2013, Gilead Enterprises

Illustrations:
nest - © K. Wherrett-Sands
astronaut - © NAASA
balloons - © T and E. Wherrett



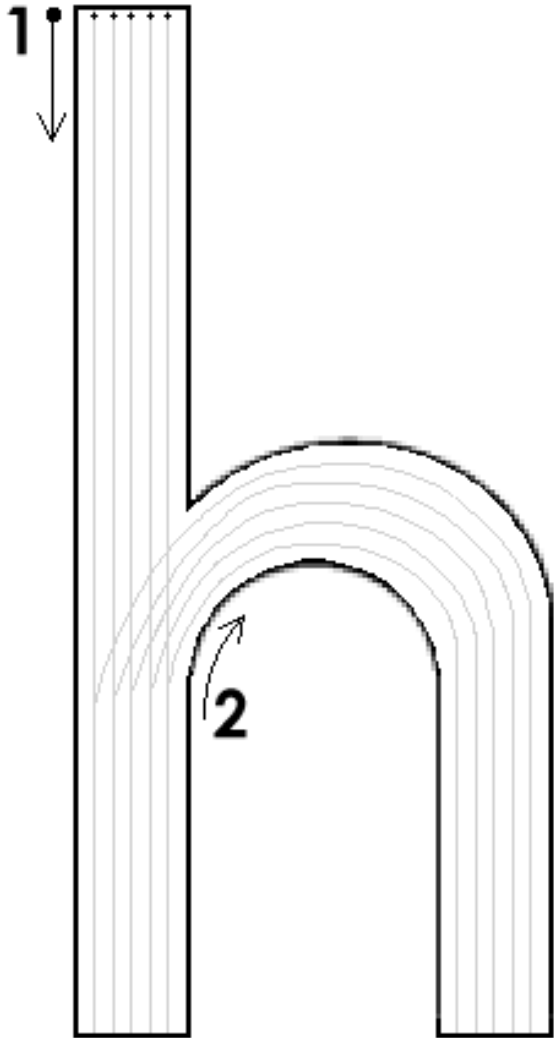
Rainbow Letters

Book 3

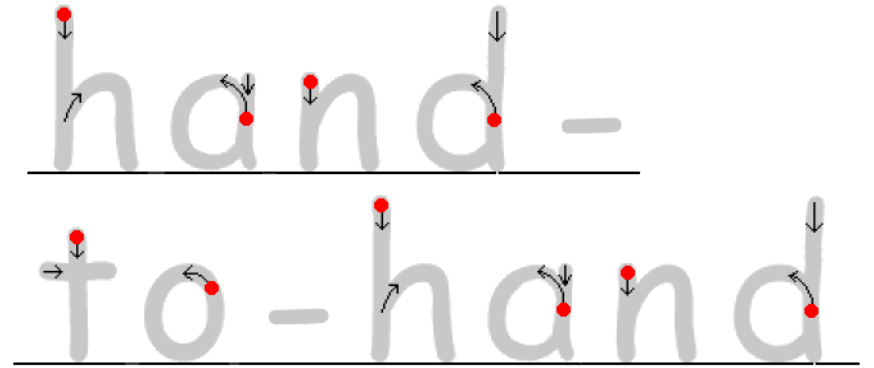
h, r, n, m, b, p,

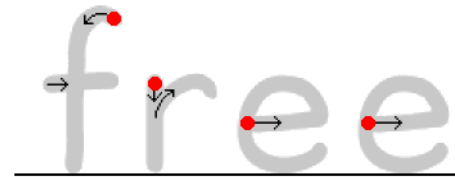
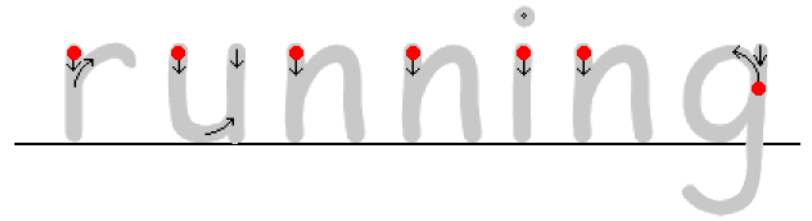
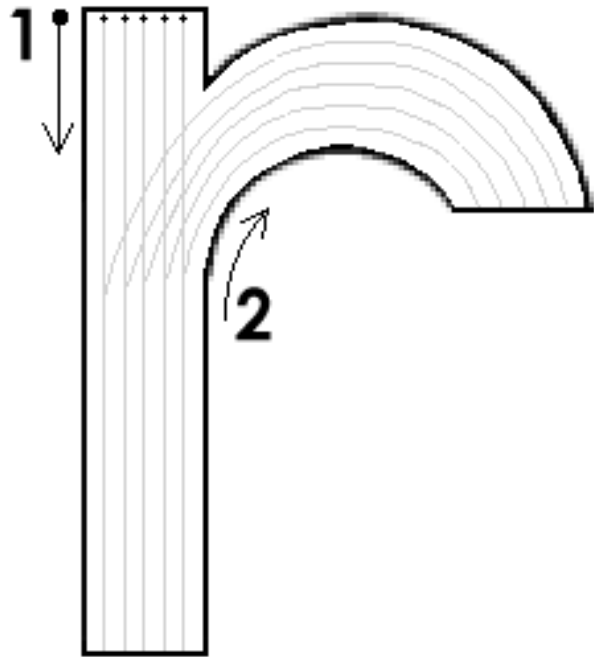
Remember, for “ball and stick” writing:

- ☺ If the “stick” comes first, draw that first – top to bottom.
- ☺ Always start the “ball” at the join – then go up first.

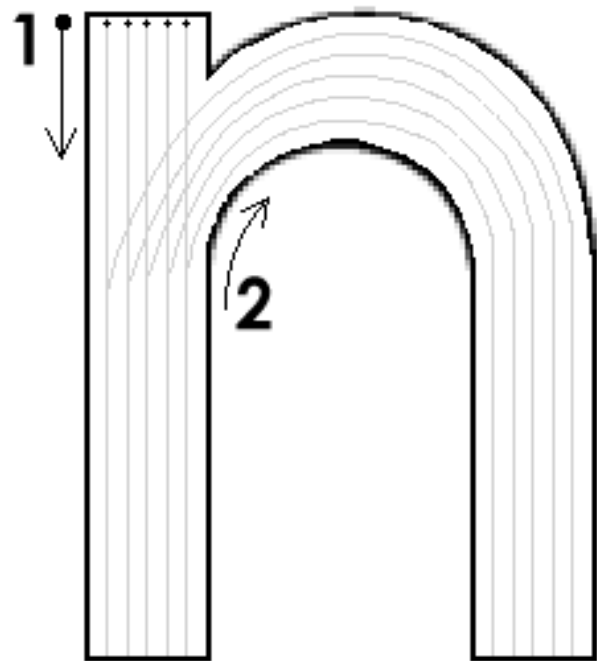


“Top to bottom, up and over.”





“Top to bottom, up and over.”

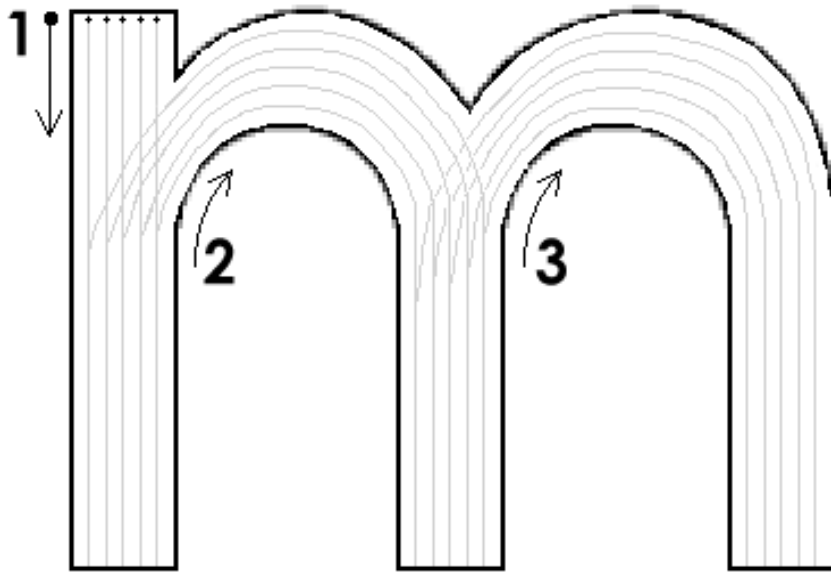


“Top to bottom, up and over.”

a noisy

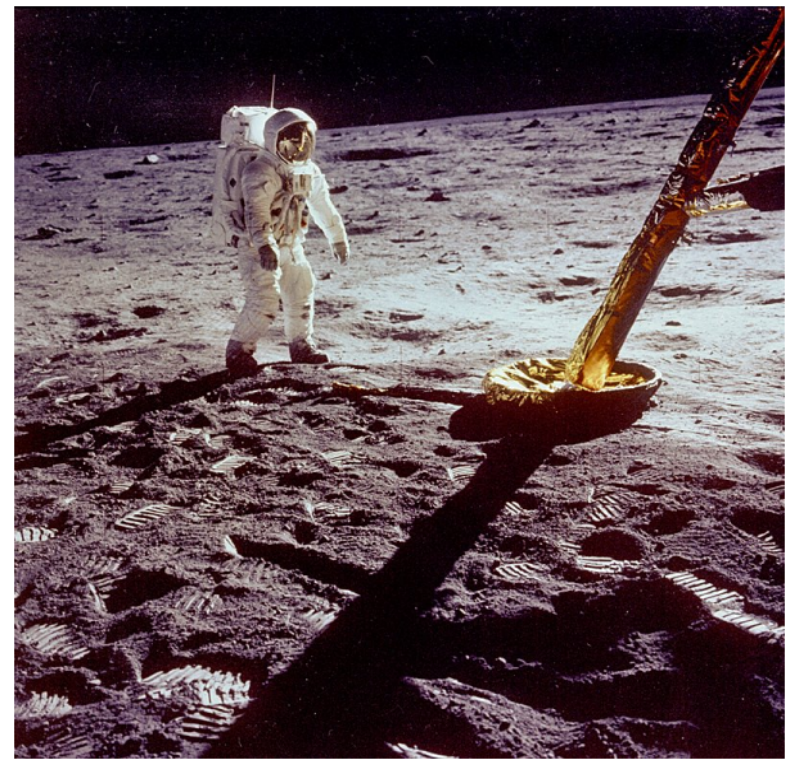
nest



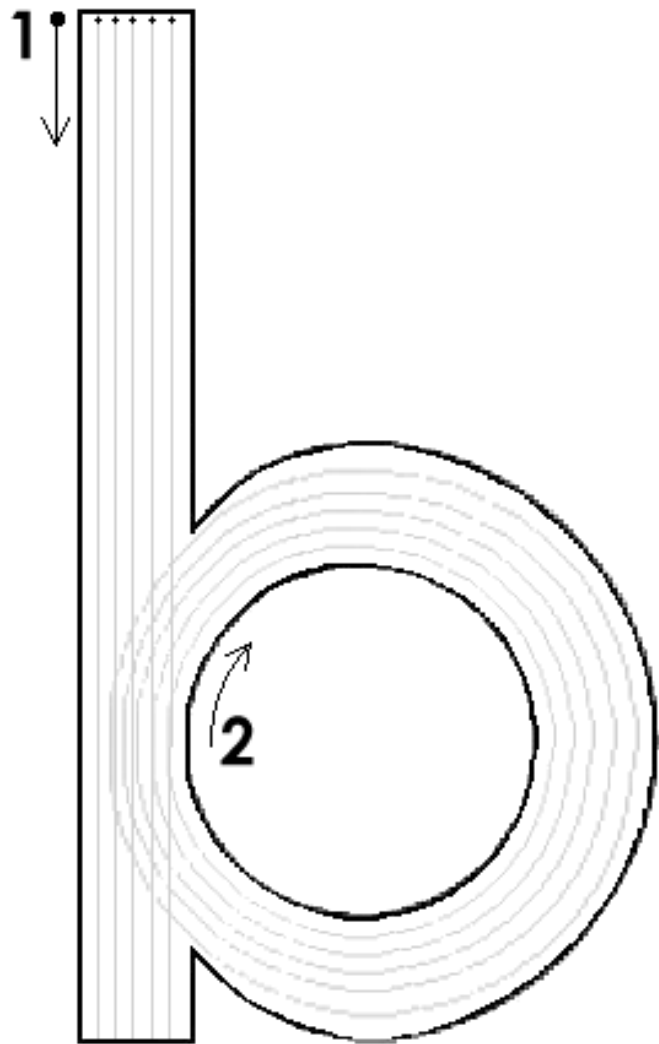


man on

the moon



“Top to bottom, up and over, up and over.”



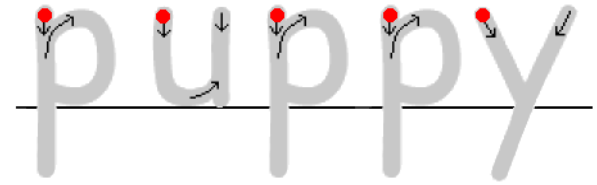
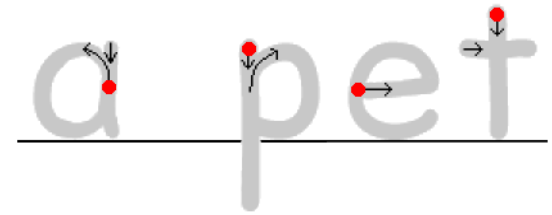
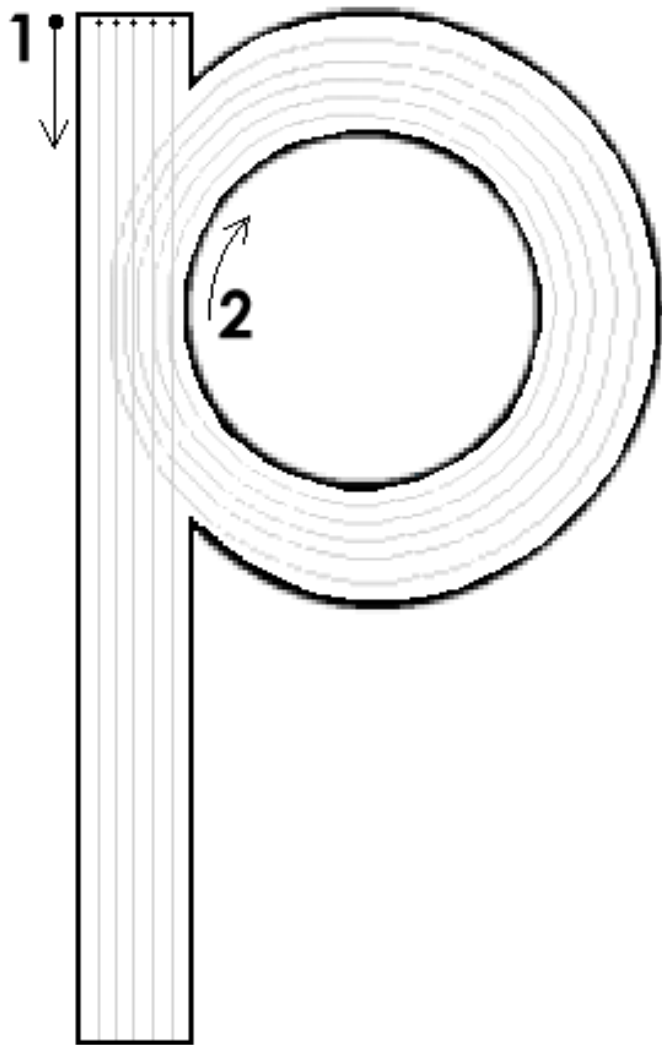
“Top to bottom, up and round.”

a bunch

of



balloons



“Top to bottom, up and round.”