

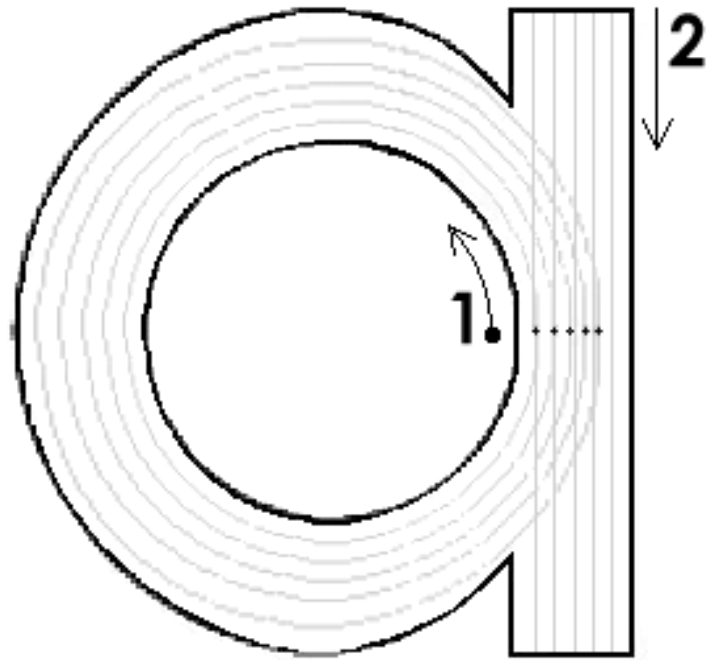
Rainbow Letters

Book 5

a, d, g, q

Remember, for “ball and stick” writing:

- ☉ If the “ball” comes first, draw that first.
- ☉ Always start the “ball” at the join – then go up first.



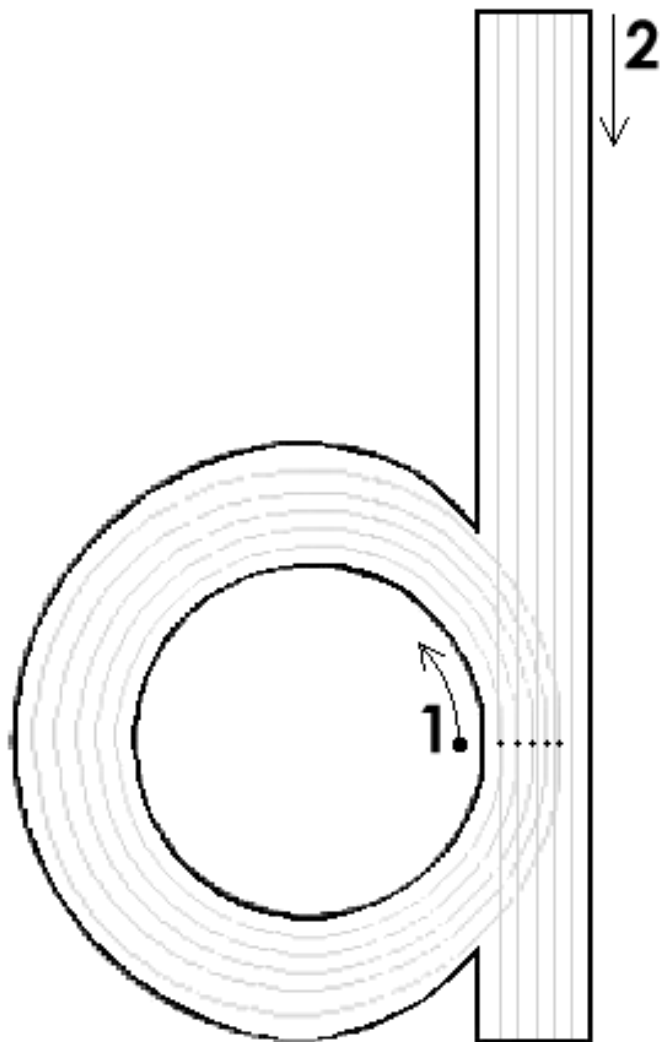
acrobats

doing a

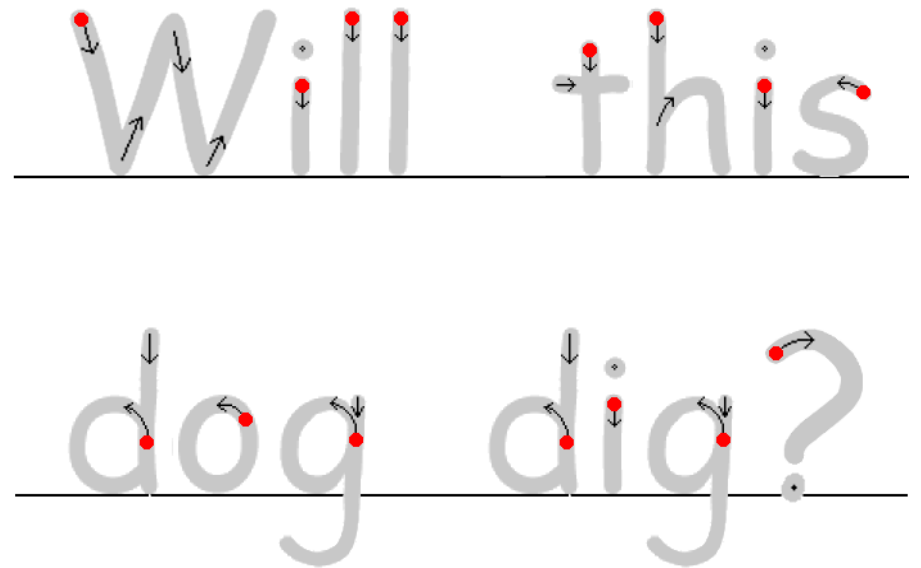
flag

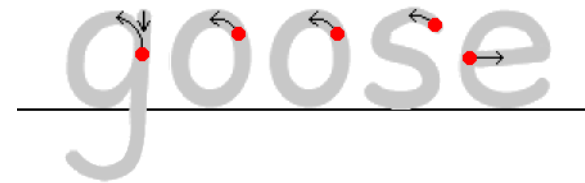
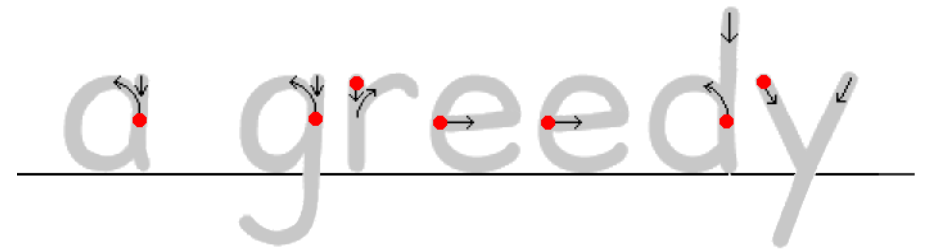
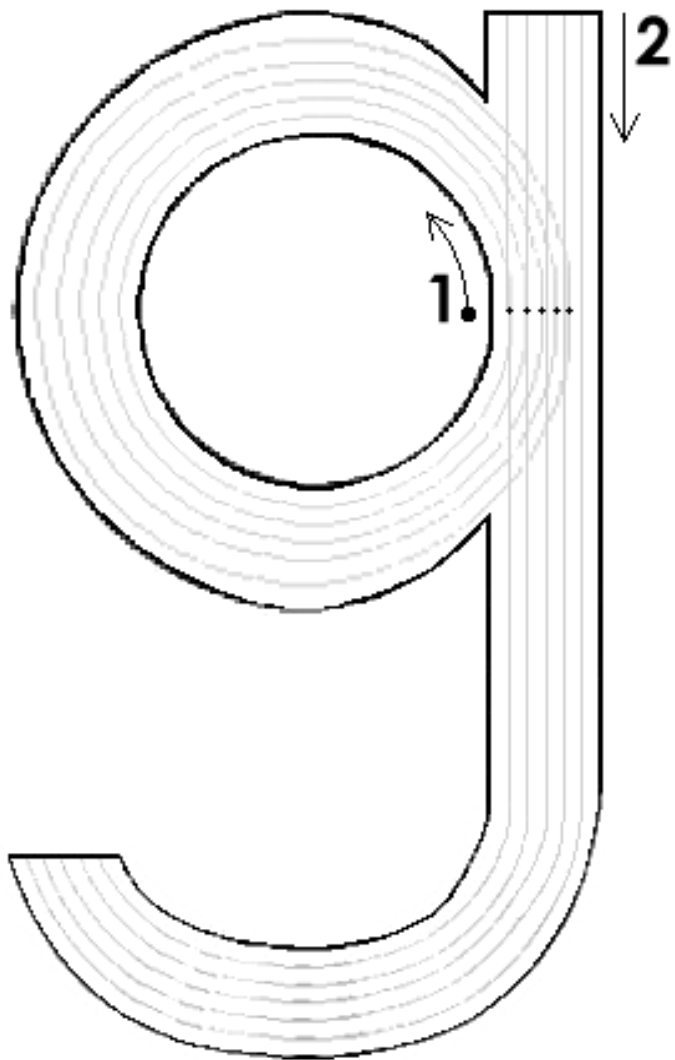


“Back and round, top and down.”



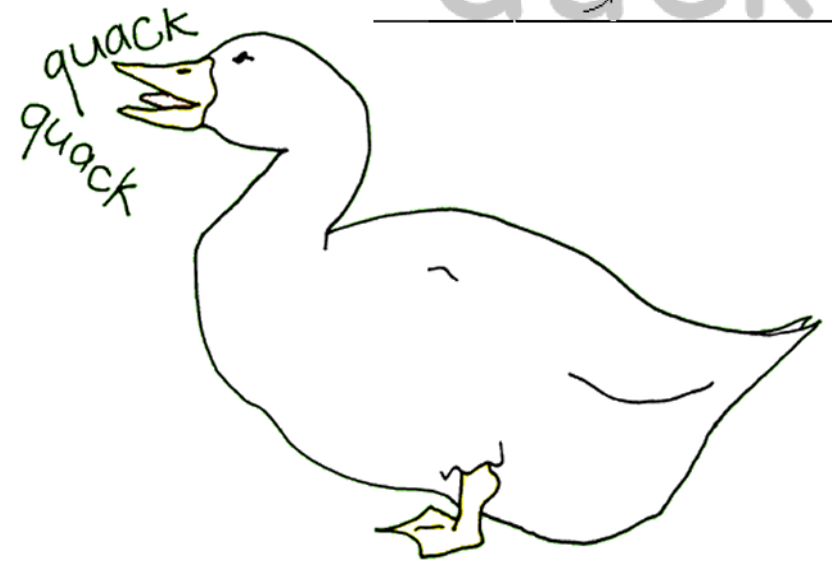
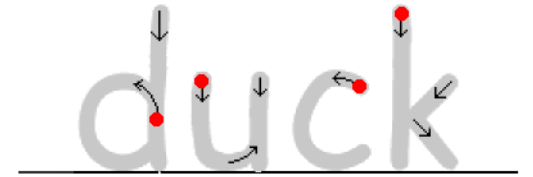
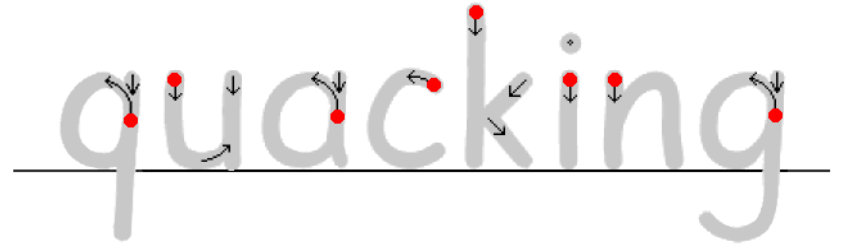
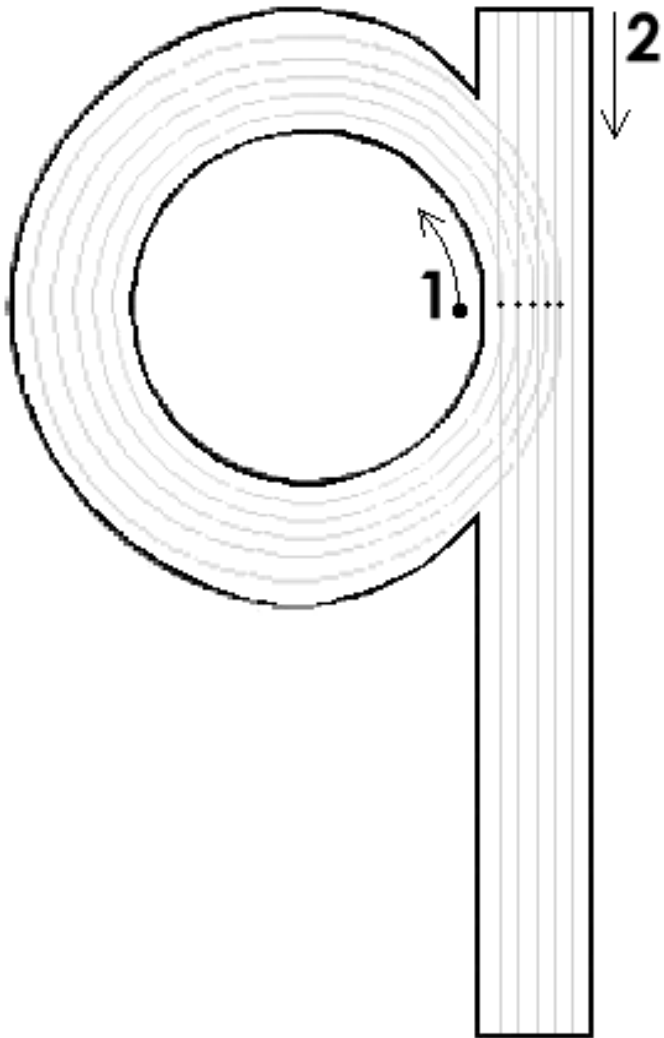
Back and round, top and down.”





“Back and round, down and round.”





“Back and round, top and down.”